

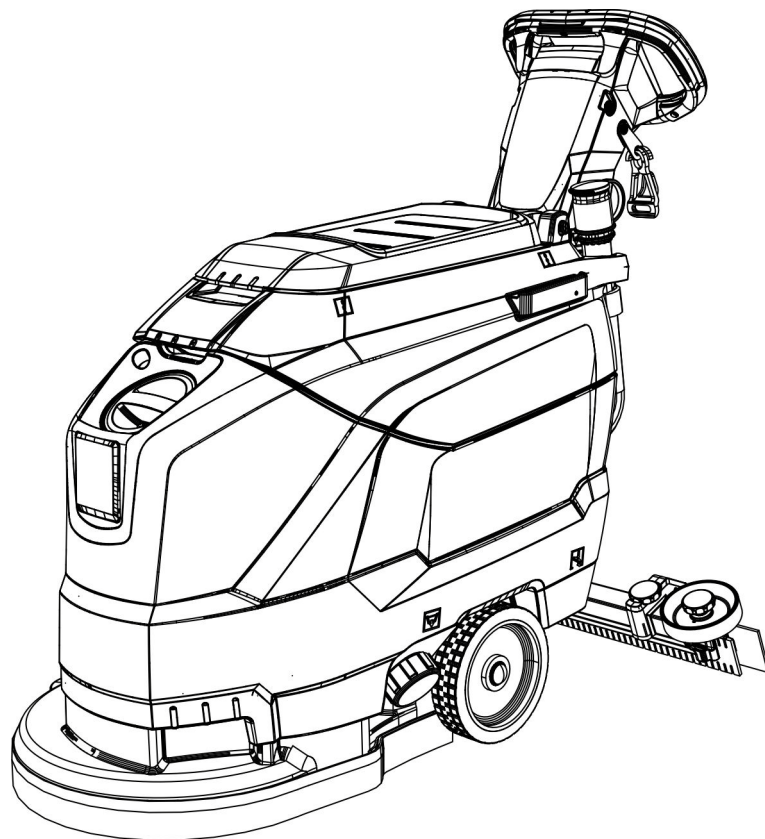
# KÄRCHER

makes a difference

English

3

## BD 43/40 C Ep




Register and win!  
[www.kärcher.com/register-and-win](http://www.kärcher.com/register-and-win)



59669900 05/19



 Please read and comply with these original instructions prior to the initial operation of your appliance and store them for later use or subsequent owners.

## Contents

Safety instructions . . . . .	EN	1
Function . . . . .	EN	1
Proper use . . . . .	EN	1
Environmental protection . . . . .	EN	1
Warranty . . . . .	EN	1
Operating and Functional Elements . . . . .	EN	2
Before Startup . . . . .	EN	3
Operation . . . . .	EN	3
Shutting Down the Appliance . . . . .	EN	4
Transport . . . . .	EN	4
Storage . . . . .	EN	4
Care and maintenance . . . . .	EN	4
Frost protection . . . . .	EN	5
Faults . . . . .	EN	5
Accessories . . . . .	EN	6
Technical specifications . . . . .	EN	6
Spare parts . . . . .	EN	6

## Safety instructions

Before using the appliance for the first time, read and observe these operating instructions and the accompanying brochure: Safety information for brush cleaning units and spray-extraction units, No. 5.956-251.0.

**The device may only be operated when the cover and all lids are closed.**

*The appliance must only be operated on surfaces that do not exceed the max. permitted incline (see "Technical Specifications").*

### **WARNING**

*Do not use the appliance on inclines.*

### Safety Devices

Safety devices serve to protect the user and must not be rendered in operational or their functions bypassed.

### Safety Switch

If the safety switch is released, the brush drive shuts off.

### Danger or hazard levels

#### **DANGER**

*For an immediate danger which can lead to severe injuries or death.*

#### **WARNING**

*For a possibly dangerous situation which could lead to severe injuries or death.*

#### **CAUTION**

*Pointer to a possibly dangerous situation, which can lead to minor injuries.*

#### **ATTENTION**

*Pointer to a possibly dangerous situation, which can lead to property damage.*

## Function

The scrubbing vacuum cleaner is used for the wet cleaning of level floors.

- The device can be easily adjusted to the respective cleaning task by adjusting the water volume and the detergent volume.

The detergent dosing unit can be adjusted via the addition in the tank.

- The device is equipped with a fresh water and a waste water tank (35 litres each). These allow an effective cleaning with a long usage life.

- A working width of 430 mm allows for an effective use with long working times.

- Propulsion is accomplished by manually pushing the device and is supported by the rotation of the brushes.

- The power supply operation allows a high capacity without a restriction of the working time.

Note:

The appliance can be equipped with various accessories depending on the cleaning task.

Please request our catalogue or visit us on the Internet at [www.kaercher.com](http://www.kaercher.com).

## Proper use

Use this appliance only as directed in these operating instructions.

- The appliance may only be used for the cleaning of hard surfaces that are not sensitive to moisture and polishing operations.

- The appliance is not suited for the cleaning of frozen grounds (e.g. in cold stores).

- The appliance may only be equipped with original accessories and spare parts.

- The appliance is not suited for the use in potentially explosive environments.

- The machine should not be used to suck in inflammable gases, undiluted acids or solvents.

This includes petrol, thinning agents or hot oil that can form an explosive mixture when it comes in contact with sucked air. Do not use acetone, undiluted acids and solvents as they are aggressive towards the materials from which the appliance is made.

- The machine has been approved for use on surfaces with max. gradients as listed under "Technical Specifications".

## Environmental protection



The packaging material can be recycled. Please do not throw the packaging material into household waste; please send it for recycling.



Old appliances contain valuable materials that can be recycled. Please arrange for the proper recycling of old appliances. Please dispose your old appliances using appropriate collection systems.

### Information on ingredients (REACH)

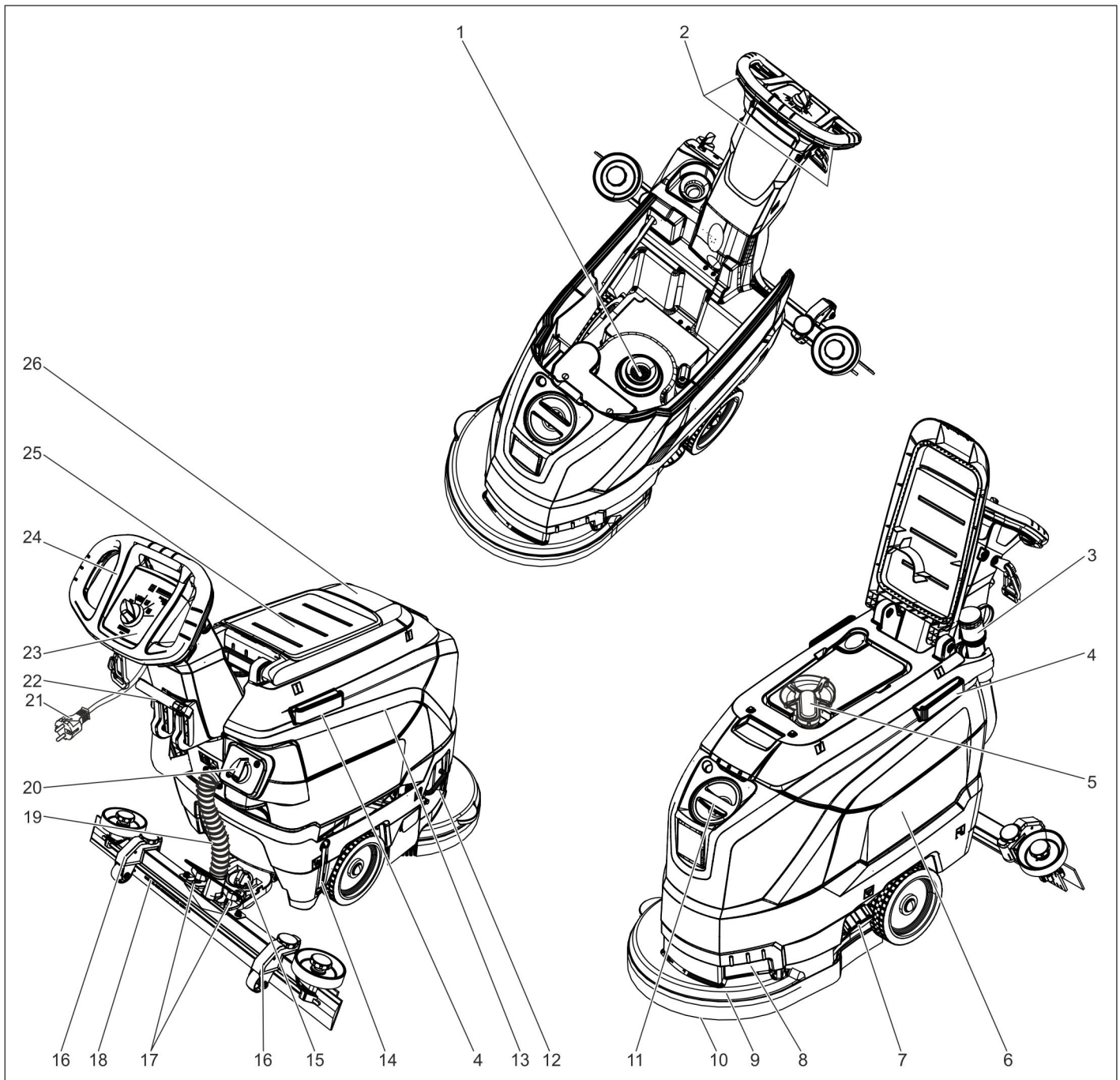
The latest information on ingredients can be found under:

[www.kaercher.de/REACH](http://www.kaercher.de/REACH)

## Warranty

The warranty terms published by our competent sales company are applicable in each country. We will repair potential failures of your accessory within the warranty period free of charge, provided that such failure is caused by faulty material or defects in fabrication. In the event of a warranty claim please contact your dealer or the nearest authorized Customer Service center. Please submit the proof of purchase.

## Operating and Functional Elements

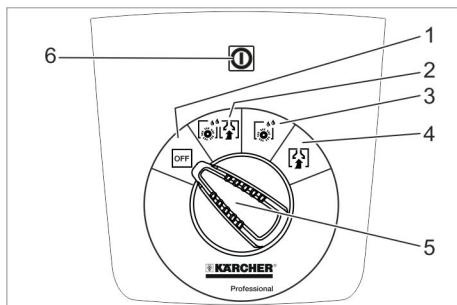


- |  |   |
|--|---|
| 1 Fluff filter                               | 21 Mains cable with mains plug                      |
| 2 Safety button                              | 22 Vacuum bar lowering lever                        |
| 3 Drain hose for wastewater with dosing unit | 23 Operator console                                 |
| 4 Holding rail for home base                 | 24 Push handle                                      |
| 5 Float                                      | 25 Storage surface for cleaning set "Home base box" |
| 6 Fresh water tank                           | 26 Cover waste water tank                           |
| 7 Fresh water tank lock                      |   |
| 8 Recessed grip                              |   |
| 9 Cleaning head                              |   |
| 10 Disc brush                                |   |
| 11 Fresh water reservoir filler neck         |   |
| 12 Bow brush change                          |   |
| 13 Waste water tank                          |   |
| 14 Fresh water level display                 |   |
| 15 Rotary handle to incline the vacuum bar   |   |
| 16 Height adjustment of suction bar          |   |
| 17 Wing nuts for fastening the vacuum bar    |   |
| 18 Vacuum bar                                |   |
| 19 Suction hose                              |   |
| 20 Water quantity regulator                  |   |

### Colour coding

- The operating elements for the cleaning process are yellow.
- The controls for the maintenance and service are light gray.

## Operator console



- 1 **OFF**  
Device is switched off
- 2 **Normal mode**  
Wet clean the floor and vacuum up dirt water.
- 3 **Intense mode**  
Wet clean the floor and allow the detergent to react.
- 4 **Vacuum mode**  
Suck in the dirt fleet.
- 5 Program selection switch
- 6 Indicator light voltage supply  
Glows when the mains plug is inserted and when there is mains voltage.

## Symbols on the machine

	Mains plug
	Lashing point
	Mop holder **
	Filling level fresh water tank 25%
	Bow brush change
	Vacuum bar lowering lever
	Drain outlet fresh water tank
	Dirt water discharge hose

\*\* option

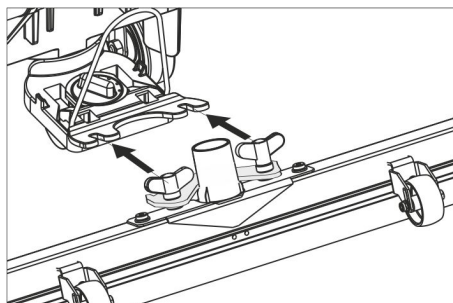
## Before Startup

### Unloading

- Employ 2 persons to lift the device off the pallet and set it on the floor.

### Installing the Vacuum Bar

- Insert the vacuum bar into the vacuum bar suspension in such a manner that the profiled sheet is positioned above the suspension.
- Tighten the wing nuts.



- Insert the suction hose.

## Operation

### ⚠ DANGER

*Risk of injury!*

*In dangerous situations, release the safety switch/drive lever.*

### Filling in detergents

#### Fresh water

- Open the lock of the fresh water reservoir.
- Fill fresh water (maximum 60 °C) until the lower edge of the filling nozzle.
- Close the lock of the fresh water reservoir.

#### Detergent

### ⚠ WARNING

*Risk of damage. Only use the recommended detergents. With other detergents, the operator bears the increased risk regarding the operational safety and danger of accident.*

*Only use detergents that are free from solvents, hydrochloric acid and hydrofluoric acid.*

*Follow the safety instructions for using detergents.*

#### Note:

Do not use highly foaming detergents.

#### Recommended detergents:

Application	Detergent
Routine cleaning of all water resistant floors	RM 746 RM 780
Routine cleaning of glossy surfaces (e.g. granite)	RM 755 es
Routine cleaning and basic cleaning of industrial floors	RM 69 ASF
Routine cleaning and basic cleaning of fine stoneware tiles	RM 753
Routine cleaning of tiles in sanitary areas	RM 751
Cleaning and disinfection in sanitary areas	RM 732

Removal of coating from all alkali-resistant floors (e.g. PVC)	RM 752
Removal of coating from linoleum floors	RM 754

- Add the detergent to the fresh water reservoir.

#### Note:

If the fresh water tank is empty, the cleaning head continues working without liquid supply.

### Setting the water quantity

- Adjust the water quantity using the regulating button according to the dirt on the floor covering.

#### Note:

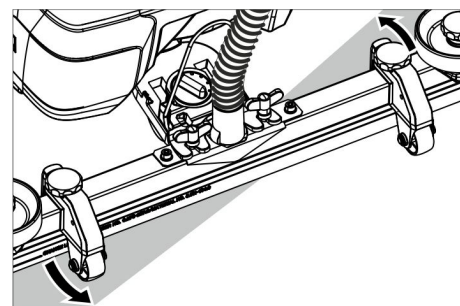
Carry out initial cleaning attempts with low water volume. Increase water volume step-by-step until the desired cleaning result is achieved.

### Setting the Vacuum Bar

#### Oblique position

To improve the vacuuming result on tiled floors the vacuum bar can be turned to an oblique position of up to 5°.

- Loosen the wing nuts.
- Turn the vacuum bar.



- Tighten the wing screws.

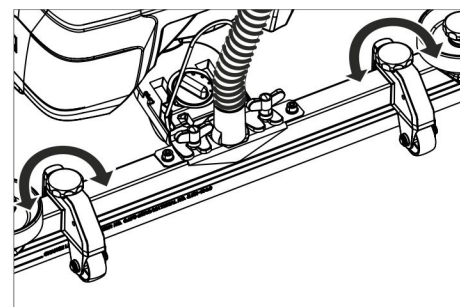
#### Inclination

If the vacuum result is unsatisfactory the inclination of the straight vacuum bar can be modified.

- Adjust the rotary handle to incline the suction bar.

#### Height

The bend of the suction lips upon contact with the floor is influenced with the height adjustment.

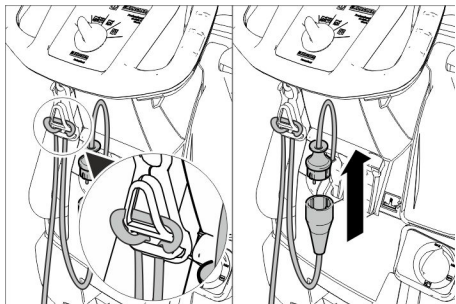


- Try adjusting the twist handles of the height adjustment until the best vacuuming result is achieved.

## Cleaning

### ATTENTION

Risk of damage to the floor covering. Do not operate the appliance on the spot.



- ➔ Insert the end of the extension cable as a loop in the strain relief clamp.
- ➔ Connect the mains plug of the device to the extension cable.
- ➔ Insert the mains plug of the extension cable into a socket.
- ➔ Turn the program selection switch to the desired cleaning program.
- ➔ Operate the safety switch.

### Lower the vacuum bar

- ➔ Pull the lever out and press it down; the vacuum bar is lowered.

### Note:

- For cleaning tiled floors, adjust the straight suction bar in such a way that cleaning is not done at an angle of 90 degrees to the joints.
- The inclined position and the inclination of the suction bar can be adjusted to achieve better suction results (see "Adjusting the suction bar").
- If the waste water tank is full, the float closes the suction opening and the suction turbine runs at an increased speed. If this is the case, shut the vacuum off and drive to empty the waste water tank.

## Shutting Down the Appliance

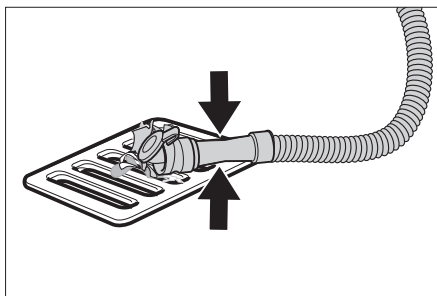
- ➔ Close the regulatory button for setting the water quantity.
- ➔ Briefly drive forward and suck of the remaining water.
- ➔ Raise the vacuum bar.
- ➔ Set the programme selector switch to "OFF".
- ➔ Disconnect the mains plug from the socket.

### Drain off dirt water

#### ⚠ WARNING

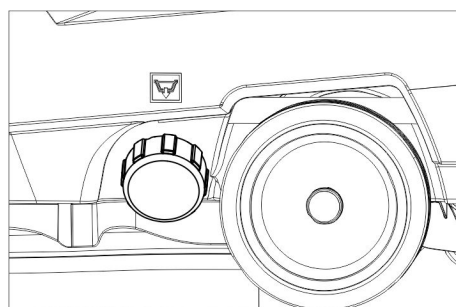
Please observe the local provisions regarding the wastewater treatment.

- ➔ Take the water discharge hose from the support and lower above a suited collection device.



- ➔ Crush or bend the dosing equipment.
- ➔ Open the lid of the dosing equipment.
- ➔ Drain off the dirt water - regulate the water quantity by pressing or bending.
- ➔ Rinse the waste water tank with clear water.

### Drain off clean water



- ➔ Unscrew the lock of the fresh water reservoir.

## Transport

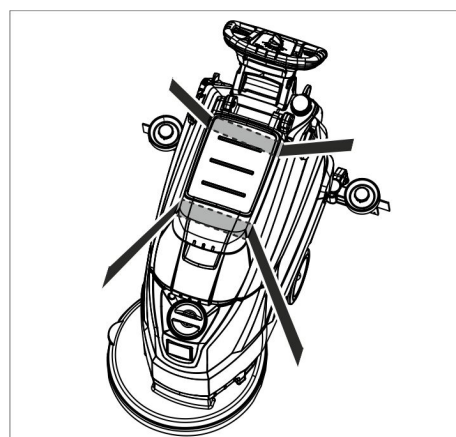
#### ⚠ DANGER

Risk of injury! When loading or unloading the machine, it may only be operated on gradients up to the maximum value (see "Technical Specifications"). Drive slowly.

#### ⚠ CAUTION

Risk of personal injury or damage! Mind the weight of the appliance during transport.

- ➔ Press down and push the device using the push handle.



- ➔ When transporting in vehicles, secure the appliance according to the guidelines from slipping and tipping over.

## Storage

#### ⚠ CAUTION

Risk of personal injury or damage! Consider the weight of the appliance when storing it.

This appliance must only be stored in interior rooms.

## Care and maintenance

#### ⚠ DANGER

Risk of injury! Set the programme selector switch to "OFF" and disconnect the mains plug prior to performing any work on the device.

- ➔ Drain and dispose of the dirt water and the residual fresh water.

### Maintenance schedule

#### After each operation

#### ATTENTION

Risk of damage. Do not sluice the appliance with water and do not use aggressive detergents.

- ➔ Drain off dirt water.
- ➔ Rinse the waste water tank with clear water.
- ➔ Clean the outside of the appliance with a damp cloth which has been soaked in mild detergent.
- ➔ Check the fluff filter, clean if required.
- ➔ Clean the vacuum lips and the wiping lips, check for wear and replace if required.
- ➔ Check the brush for wear and replace if required (see "Maintenance tasks").

#### Monthly

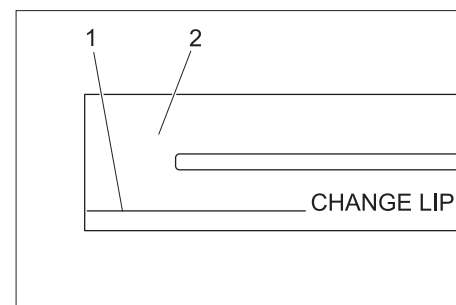
- ➔ Clean the seals between waste water tank and cover and check for tightness, replace if required.

#### Yearly

- ➔ Have the prescribed inspection carried out by the customer service.

### Maintenance Works

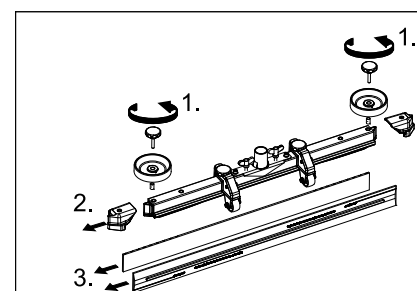
#### Replace or turn vacuum lips



- 1 Wear indicator
- 2 Vacuum lip

The vacuum lips must be replaced or reversed if they are worn down to the wear indicator.

- ➔ Remove the vacuum lip.
- ➔ Unscrew the star grips.

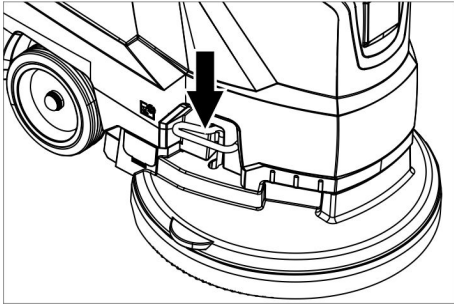


- ➔ Remove the plastic parts.
- ➔ Remove the vacuum lips.

- Insert new or reversed vacuum lips.
- Insert the plastic parts.
- Screw in and tighten the star grips.

#### Replacing the disk brushes

- Push down the device holding the push handle so that the cleaning head is raised.
- Press the pedal for changing the brushes downward beyond its resistance.

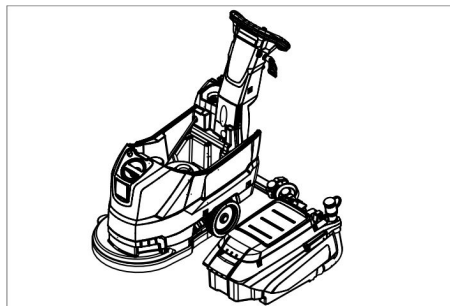


- Pull the device towards the back so that the disc brush becomes accessible.

- Place a new disc brush on the floor in front of the device.
- Drive the device with the raised cleaning head over the new disc brush and lower the cleaning head. The brush locks into the drive.

#### Removing the waste water tank

- Drain off dirt water.



- Lift up the waste water tank and put it aside.

#### Maintenance contract

To ensure a reliable operation of the appliance maintenance contracts can be concluded with the competent Kärcher sales office.

#### Frost protection

In case of danger of frost:

- Empty the fresh and waste water tank.
- Store the appliance in a frost-protected room.

## Faults

### ⚠ DANGER

*Risk of injury! Set the programme selector switch to "OFF" and disconnect the mains plug prior to performing any work on the device.*

- Drain and dispose of the dirt water and the residual fresh water.

Failure	Correction
Appliance cannot be started	Turn the program selection switch to the desired programme.
	Operate the safety switch.
	Insert the mains plug into the socket.
	Is the indicator light voltage supply on?
Insufficient water quantity	Check fresh water level, refill tank if necessary.
	Increase the water volume on the regulating knob for water volume.
Insufficient vacuum performance	Clean the seals between waste water tank and cover and check for tightness, replace if required.
	Check the seals between waste water tank and fresh water tank for damage, replace if necessary.
	Wastewater reservoir is full; shut off the appliance and empty the wastewater reservoir
	Clean the fluff filter.
	Clean the vacuum lips on the vacuum bar, replace if required
	Check if the cover on the dirt water discharge hose is closed
	Check the setting of the vacuum bar.
	Check suction hose for blockages; clean if required.
Check the suction hose for tightness; replace if required.	
Insufficient cleaning result	Check the brushes for wear, replace if required.
Suction turbine is running rough	Clean the swimmer.
Brush does not turn	Check if foreign objects block the brush; remove foreign object if required.
	Release the safety switch.
	Wait for a while.
	Operate the safety switch.
Vibrations during cleaning	You might need to use a softer brush.

**In case of faults that cannot be remedied using the table below please contact the customer service.**

## Accessories

Description	Part no.:	Description
Disk brush, red (medium, standard)	4.905-022.0	For the use with all common cleaning tasks.
Disk brush, natural (white)	4.905-023.0	Made of natural fibres for spot cleaning and polishing.
Disk brush, black (hard)	4.905-025.0	For heavy soiling and for deep cleaning. For robust floorings only.
Driver plate pad	9.753-063.0	For cleaning with pads. With quick change coupling and center lock.
Pad, white	6.369-469.0	For polishing floors.
Pad, red (medium soft)	6.369-470.0	For cleaning and cleaning of all floors.
Pad, green (medium hard)	6.369-472.0	For cleaning heavily soiled floors and for deep cleaning.
Pad, black (hard)	6.369-473.0	With stubborn soiling and for deep cleaning.
Pad, beige (natural hair proportion)	6.371-081.0	For polishing and refreshing of hard and flexible floorings.
Suction bar, 850 mm, straight	4.777-401.0	
Suction bar, 850 mm, bent	4.777-411.0	
Set homebase box	4.035-406.0	
Mop holder	9.753-023.0	

### Technical specifications

Power		
Nominal voltage	V	230
Frequency	Hz	50
Average power consumption	W	1400
Rated power suction turbine	W	550
Rated power brush drive	W	850
Vacuuming		
Vacuum power, air volume (max.)	l/s	20
Vacuuming power, negative pressure (max.)	kPa (mbar)	12,0 (120)
Cleaning brushes		
Brush speed	1/min	235
Brush diameter	mm	430
Dimensions and weights		
Theoretical surface cleaning performance	m <sup>2</sup> /h	1800
Max. working range incline	%	2
Fresh/waste water tank volume	l	40/40
Max. water temperature	°C	60
Ambient temperature	°C	5...40
Net weight (transport weight)	kg	56
Total weight (ready to operate)	kg	91
Values determined as per EN 60335-2-72		
Total oscillation value	m/s <sup>2</sup>	<1,3
Uncertainty K	m/s <sup>2</sup>	0,2
Sound pressure level L <sub>pA</sub>	dB(A)	70
Uncertainty K <sub>pA</sub>	dB(A)	2
Sound power level L <sub>WA</sub> + Uncertainty K <sub>WA</sub>	dB(A)	86

### Spare parts

- Only use accessories and spare parts which have been approved by the manufacturer. The exclusive use of original accessories and original spare parts ensures that the appliance can be operated safely and trouble free.
- At the end of the operating instructions you will find a selected list of spare parts that are often required.
- For additional information about spare parts, please go to the Service section at [www.kaercher.com](http://www.kaercher.com).











<http://www.kaercher.com/dealersearch>

