



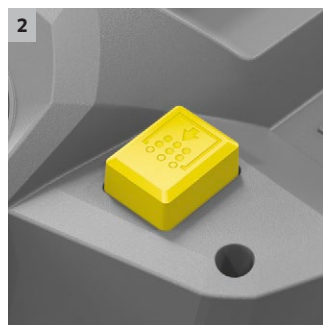
## NT 22/1 Ap L

Compact yet unbelievably powerful wet and dry vacuum cleaner entry-level unit. Due to its low weight, the NT 22/1 Ap is ideal for mobile use.



### 1 Low weight and compact dimensions

- The machine can be easily and conveniently transported and stored.



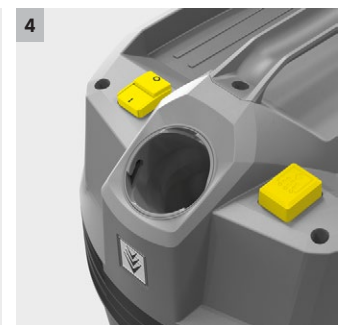
### 2 Semi-automatic filter cleaning

- Semi-automatic filter cleaning effectively ensures constantly high suction power.



### 3 Moisture-resistant PES cartridge filter

- It is possible to change from wet to dry vacuum cleaning easily without having to dry the PES cartridge filter first.
- Washable PES filter.



### 4 Suction hose connection in the machine head

- Enables the entire container volume to be utilised.
- Save time by not having to empty the container as often.



## NT 22/1 Ap L

- Efficient semi-automatic filter cleaning
- Suction hose port in the head of the machine
- Moisture-resistant PES cartridge filter

### Technical data

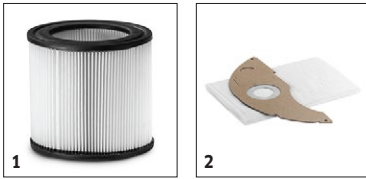
<b>Order no.</b>	1.378-600.0	
<b>EAN code</b>	4054278287928	
<b>Current type</b>	<b>Ph / V / Hz</b>	1 / 220 - 240 / 50 - 60
<b>Air flow</b>	<b>l/s</b>	71
<b>Vacuum</b>	<b>mbar / kPa</b>	255 / 25.5
<b>Container content</b>	<b>l</b>	22
<b>Container material</b>		plastic
<b>Rated input power</b>	<b>W</b>	1300
<b>Standard nominal diameter</b>		DN 35
<b>Cable length</b>	<b>m</b>	6
<b>Sound pressure level</b>	<b>dB(A)</b>	71
<b>Number of motors</b>		1
<b>Weight</b>	<b>kg</b>	5.7
<b>Weight incl. packaging</b>	<b>kg</b>	9
<b>Dimensions (L × W × H)</b>	<b>mm</b>	380 × 370 × 480

### Equipment

<b>Suction hose</b>	<b>m</b>	1.9 / With bend
<b>Suction tube</b>	<b>piece(s) × m</b>	2 × 0.5 / plastic
<b>Filter bag</b>	<b>piece(s)</b>	1 / Fleece
<b>Wet/dry floor nozzle</b>	<b>mm</b>	300
<b>Crevice nozzle</b>		■
<b>Cartridge filter</b>		PES
<b>Filter cleaning</b>		ApClean (semi-automatic filter cleaning)
<b>Protection class</b>		II
<b>Stop swivel castor</b>		■

■ Included in the scope of supply.

# NT 22/1 AP L 1.378-600.0



		Order no.	Anzahl	Dummy	Dummy	Dummy	Price	Description	
<b>Cartridge filter PES</b>									
Cartridge filter packaged PES	1	2.889-219.0	1 piece(s)					Moisture-resistant PES cartridge filter for wet and dry vacuum cleaning. Dust class L-certified.	■
<b>Fleece filter bags</b>									
Fleece filter bags	2	2.889-217.0	5 piece(s)					Fleece filter bag, tear-resistant, for NT 22/1 Ap and NT 22/1 Ap Te machines. Dust class-L-certified.	□

■ Included in the scope of supply. □ Available accessories.

**Authorised Sales & Service Provider**  
**Supertech industrial Solutions**  
**Regd Off-D-180 Sec 10,Noida (UP) 201301**  
**Branch Off-Plot No.517,Sec-12,Vashundra Ghaziabad UP 201012**  
**Mobile-+91-9718489991 Landline-0120-4996211**  
**Web-www.sisbharat.com**  
**Email-Info@Supertechindustrialsolutions.com**

# NT 22/1 AP L 1.378-600.0

**KÄRCHER**



		Order no.	Anzahl	Nennweite	Länge	Breite	Price	Description	
<b>Bend, plastic</b>									
Elbow, standard	1	2.889-199.0	1 piece(s)	35				Plastic bend, grey, with C 35 clip system.	■
Bend	2	2.889-148.0	1 piece(s)	35				Ergonomic bend for the new clip system. With airflow control slide, in an antistatic design.	□
Bend Adv, electrically conductive	3	2.889-168.0	1 piece(s)	35				Ergonomic bend for the new clip system. Electrically conductive design. Particularly suited to high concentrations of fine dust.	□
Bend Adv	4	2.889-170.0	1 piece(s)	35				Ergonomic bend for the new clip system.	□
<b>Floor nozzles</b>									
Wet/Dry floor nozzle standard	5	2.889-263.0	1 piece(s)	35		300 mm		Wet/Dry floor nozzle, NW 35, 300 mm wide, grey. Including brush strips and squeegees. Easy-to-change inserts.	■
Wet and dry floor nozzle Adv	6	2.889-152.0	1 piece(s)	35		360 mm		360 mm wide wet and dry floor nozzle with easy-to-change inserts. Including brush strips and squeegees.	□
<b>Crevice nozzles</b>									
Crevice nozzle NT Tact DN 35	7	2.889-159.0	1 piece(s)	35	225 mm			Crevice nozzle ID 35, for new Tact range.	■
<b>Suction tubes, plastic</b>									
Suction tube set	8	2.889-218.0	2 piece(s)	35	505 mm			Plastic suction tube set, NW 35, grey, 2-piece, each 0.5 m.	■
<b>Car cleaning nozzles</b>									
DN 35 car nozzle	9	6.906-108.0	1 piece(s)	DN 35		90 mm		Plastic.	□
<b>Rubber suction tools, nose 45°</b>									
Rubber suction tool, nose 45°	10	6.902-104.0	1 piece(s)	35	220 mm			For vacuuming machines, oil-resistant.	□
	11	6.902-105.0	1 piece(s)	40	220 mm			For vacuuming machinery, oil-resistant.	□
<b>Suction tubes, stainless steel</b>									
Suction tube set	12	2.889-175.0	2 piece(s)	35	505 mm			Stainless steel suction tube set, NW 35, 2-piece, each 0.55 m.	□
<b>Suction tubes, metal</b>									
Suction tube, chrome-plated	13	6.902-074.0	1 piece(s)	35	505 mm			Suction tube, metal, chrome-plated, NW 35, length: 0.5 m.	□

■ Included in the scope of supply. □ Available accessories.

**Authorised Sales & Service Provider**  
**Supertech industrial Solutions**  
 Regd Off-D-180 Sec 10,Noida (UP) 201301  
 Branch Off-Plot No.517,Sec-12,Vashundra Ghaziabad UP 201012  
 Mobile-+91-9718489991 Landline-0120-4996211  
 Web-www.sisbharat.com  
 Email-Info@Supertechindustrialsolutions.com

# NT 22/1 AP L 1.378-600.0

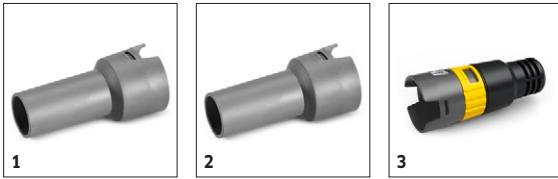


		Order no.	Anzahl	Nennweite	Länge	Price	Description	
<b>Complete suction hoses (clip system)</b>								
Suction hose	1	2.889-134.0	1 piece(s)	35	2.5 m		2.5 m suction hose with new bayonet and clip fastener.	<input type="checkbox"/>
Electrically conductive suction hose	2	2.889-136.0	1 piece(s)	35	2.5 m		Electrically conductive suction hose with new bayonet and clip fastener. Length: 2.5 m.	<input type="checkbox"/>
<b>Extension hoses (clip system)</b>								
Extension hose	3	2.889-145.0	1 piece(s)	35	2.5 m		Extension hose for new clip system ID 35. Length: 2.5 m.	<input type="checkbox"/>

■ Included in the scope of supply.  Available accessories.

**Authorised Sales & Service Provider**  
**Supertech industrial Solutions**  
**Regd Off-D-180 Sec 10,Noida (UP) 201301**  
**Branch Off-Plot No.517,Sec-12,Vashundra Ghaziabad UP 201012**  
**Mobile-+91-9718489991 Landline-0120-4996211**  
**Web-www.sisbharat.com**  
**Email-Info@Supertechindustrialsolutions.com**

# NT 22/1 AP L 1.378-600.0



		Order no.	Anzahl	Nennweite		Price	Description	
<b>Connection adapter C ID (clip to cone), electrically conductive</b>								
Adapter clip DN 35 on cone DN 35	1	5.407-005.0						<input type="checkbox"/>
Adapter clip DN 40 on cone DN 40	2	5.407-006.0		DN 40				<input type="checkbox"/>
<b>Connection adapter for power tools, clip-on, electrically conductive</b>								
Tool collar DN 35, clip-on	3	2.889-151.0	1 piece(s)	35			Tool adapter with a rubber fixture and airflow control slide for the new clip system. Suitable for all current electric tools.	<input type="checkbox"/>

■ Included in the scope of supply. □ Available accessories.

**Authorised Sales & Service Provider**  
**Supertech industrial Solutions**  
 Regd Off-D-180 Sec 10,Noida (UP) 201301  
 Branch Off-Plot No.517,Sec-12,Vashundra Ghaziabad UP 201012  
 Mobile-+91-9718489991 Landline-0120-4996211  
 Web-www.sisbharat.com  
 Email-Info@Supertechindustrialsolutions.com

# NT 22/1 AP L 1.378-600.0



		Order no.	Anzahl	Breite		Price	Description	
<b>Other</b>								
Drilling dust nozzle	1	2.679-000.0	1 piece(s)				Drill dust nozzle for dust-free vacuuming of boreholes. Suitable for dry and wet and dry vacuum cleaners from Kärcher.	<input type="checkbox"/>
Adapter clip new on clip old DN 35	2	2.889-312.0						<input type="checkbox"/>
Adapter connection, electroconductive	3	5.031-436.0						<input type="checkbox"/>

■ Included in the scope of supply. □ Available accessories.

**Authorised Sales & Service Provider**  
**Supertech industrial Solutions**  
**Regd Off-D-180 Sec 10,Noida (UP) 201301**  
**Branch Off-Plot No.517,Sec-12,Vashundra Ghaziabad UP 201012**  
**Mobile-+91-9718489991 Landline-0120-4996211**  
**Web-www.sisbharat.com**  
**Email-Info@Supertechindustrialsolutions.com**